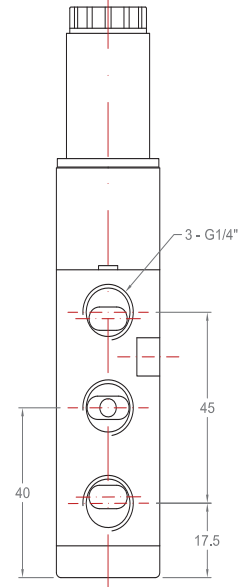
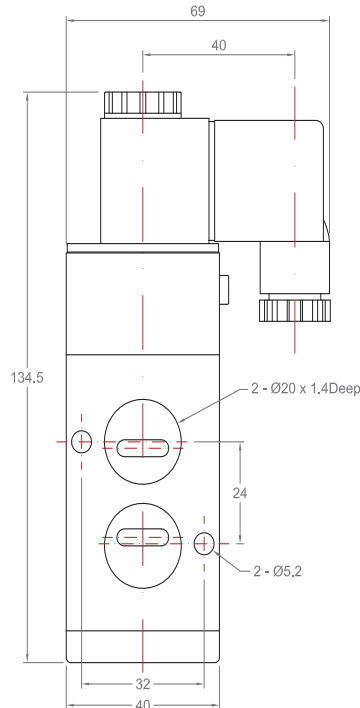
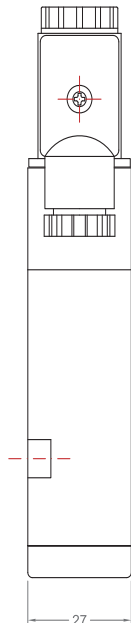
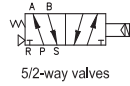


JJ08 Series Namur Type Solenoid Valve

Namur Accessories

⁽¹⁾ 3/2 Adapter Plate



How to Order

JJ08

5- Position 2- Way
 Namur Solenoid Valve

3

300 Series

10

Number of coil and position
 Single head double position

08

Port Size
 G1/4"

- AC110V

Coil Voltage
 DC12V
 DC24V
 DC110V
 AC24V 50/60Hz
 AC110V 50/60Hz
 AC220V 50/60Hz

Technical data

Type	JJ08310-08					
Material	Body: Anodized aluminium			Seals: NBR		
Coil Voltage	DC12V	DC24V	AC24V	DC110V	AC110V	AC220V
Acting type	Internally pilot-actuated					
Position number	5 - Position 2- Way or ⁽¹⁾ Conversion plate 3 - Position 2- Way					
Port size (G)	1/4"					
Available connector	With Led			-		
Fluid	Air					
Flow	700 L/Min					
Lubrication	Lubricated or not					
Operating Pressure (Mpa)	0.15 ~ 0.8					
Temperature range	5 ~ 60 °C					
Voltage range	±10%					
Power consumption	AC: 4.5VA DC: 3W					