

IP67 Zone I ATEX approved aluminium limit switchbox with high visibility dome indicator

The YT-870 is an ATEX approved (for Zone I & 2 applications) IP67 weatherproof limit switchbox that provides remote end of travel confirmation by means of internal cams or targets striking switches. The quick and easy to adjust cams are fitted to the switchbox drive shaft which in turn is connected to the actuator pinion using the Namur interface.

The YT-870 has an aluminium housing with a high visibility visual position indicator, a stainless steel drive shaft and is supplied complete with a mounting bracket conforming to VDI/VDE 3845 and Namur.



Code :

YT-870M 2 x V3 mechanical SPDT micro switches (Omron SS5GL)

ATEX APPROVAL TPS 09 ATEX 63478 005X Ex II 2G Ex d IIC T6

Fits the CH-air A Type Pneumatic actuator ~
Actuator features :

Robust rack and pinion construction

High accuracy machining of components

ATEX Ex II 2 GD approved for use in hazardous areas

CE Approved

Guaranteed for 1,000,000 cycles

Balanced air & spring strokes in spring return version

Safe to dismantle for routine maintenance

Compliant with all actuator standards

Accessories are easy to mount

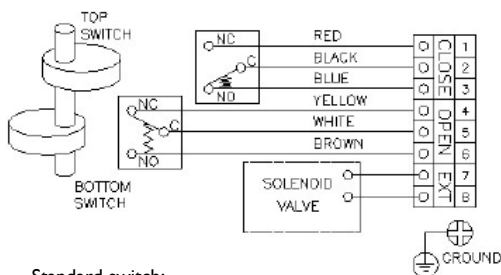
Hard anodised aluminium body

ENP coated option (Extra cost)

Teflon® coated option (Extra cost)

Stainless steel version (Extra cost)

Mechanical SPDT switches:



Standard switch:

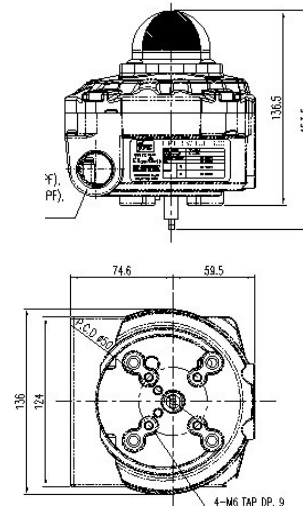
2 x Omron SPDT SS5GL

AC: 250V 3A, 125V 5A

DC: 30V 4A

Optional: Proximity

Dimensions:



Materials:

Body	Die-cast aluminium
Cover	ABS/ Polycarbonate
Shaft	Stainless steel
Bracket	Stainless steel
Temp range	-20 to +60°C
Connection	2 x M20
Weight	1.5 kgs

Mounting bracket codes:

Actuator mounting	Pinion height	Code
80 x 30	20	80-20
80 x 30	30	80-30
130 x 30	30	130-30
130 x 30	50	130-50



Product Service

(1) **EC Type Examination Certificate**

(2) Equipment and Protective Systems Intended for Use in Potentially Explosive Atmospheres – **Directive 94/9/EC**

(3) EC Type Examination Certificate Number:

TPS 09 ATEX 63478 005 X



(4) Equipment: Limit Switch Box type YT-870M, YT-870P and YT-870D

(5) Manufacturer: Young Tech Co., Ltd.

(6) Address: 662-8, Pungmu-Dong, Kimpo-City, Keonggi-Do, Korea

(7) This equipment and any acceptable variation thereto are specified in the schedule to this certificate and the documents therein referred to.

(8) TÜV SÜD Product Service GmbH, notified body No. 0123 in accordance with Article 9 of the Council Directive 94/9/EC of March 23rd 1994, certifies that this equipment has been found to comply with the Essential Health and Safety Requirements relating to the design and construction of equipment and protective systems intended for use in potentially explosive atmospheres, given in Annex II of the Directive.

The examination and test results are recorded in the confidential report 08TH0297.

(9) Compliance with the Essential Health and Safety Requirements has been assured by compliance with:


EN 60079-0:2006

EN 60079-1:2007

(10) If the sign "X" is placed after the certificate number, it indicates that the equipment is subject to special conditions for safe use specified in the schedule to this certificate.

(11) This EC Type Examination Certificate relates only to the design and the construction of the specified equipment in accordance with Directive 94/9/EC. Further requirements of this Directive apply to the manufacture and supply of this equipment.

(12) The marking of the equipment shall include the following:

 II 2G Ex d IIC T6

Office of certification of explosion protection

Stuttgart, February 19, 2009

A.Pfeil



Page 1 / 2

EC Type Examination Certificate without signature and official stamp shall not be valid. The certificates may be circulated only without alteration. Extracts or alterations are subject to approval by TÜV SÜD Product Service GmbH. In case of dispute, the German text shall prevail.

The document is internally administrated under the following number: EX5 09 02 63478 005



Product Service

(13) **Schedule**(14) **EC Type Examination Certificate TPS 09 ATEX 63478 005 X**(15) Description of equipment:

YT-870 series is a limit switch box which monitors and transmits the value position to the controller or control center.

Electrical data:

YT-870M:	AC:250V 3A, 125V 5A / 250V 10.1A, 125V 10.1A DC:250V 0.2A, 125V 0.4A, 30V 4A, 14V 5A, 8V 5A
YT-870P:	DC:12~24 VDC (Operating Voltage : 10~30VDC / 5~25VDC)
YT-870D:	AC:125 or 250VAC 10A, 480VAC 2A DC:125VDC 0.5A, 250VDC 0.25A

(16) Test report: 08TH0297(17) Special conditions for safe use:

The apparatus can be used in a temperature range between -20°C and +60°C.

The apparatus shall be marked with a warning marking according to 29.8 g).

The routine test according to EN 60079-1:2007, subchapter 16.1 has to be conducted.

(18) Essential health and safety requirements:

met by standards

Office of certification of explosion protection

Stuttgart, February 19, 2009

A. Pfeil



Page 2 / 2

EC Type Examination Certificate without signature and official stamp shall not be valid. The certificates may be circulated only without alteration. Extracts or alterations are subject to approval by TÜV SÜD Product Service GmbH. In case of dispute, the German text shall prevail.

The document is internally administrated under the following number: EX5 09 02 63478 005