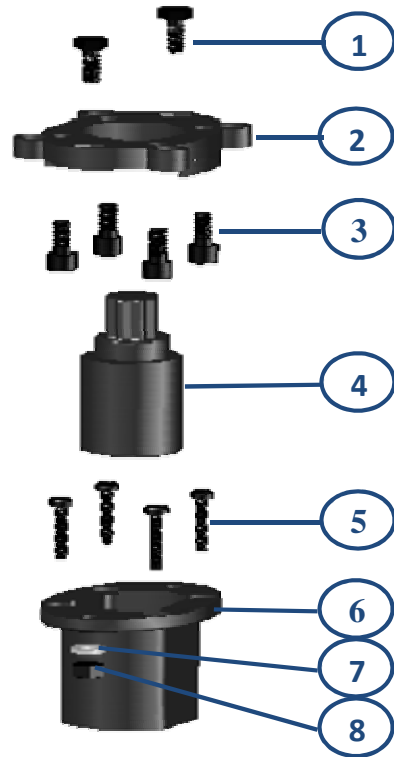


## MOUNTING KIT BALL VALVE FIP TYPE VKD, PLASTIC DRIVE ADAPTER



SIZE	DESCRIPTION	MATERIAL
1	SCREW DIN933	A2 S.STEEL
2	ADAPTER PLATE	PP-GR
3	SCREW DIN912	A2 S.STEEL
4	DRIVE ADAPTER	PA-GR
5	SCREW RF81T	A2 S.STEEL
6	MOUNTING PLATE	PP-GR
7	WASHER DIN125	A2 S.STEEL
8	NUT DIN934	A4 S.STEEL

CODE KIT	
DN15	MM00359
DN20	MM00360
DN25	MM00361
DN32	MM00362
DN40	MM00363
DN50	MM00364

SIZE	DN10 - DN15	DN20	DN25	DN32	DN40	DN50	UNITS
	D16 - D20	D25	D32	D40	D50	D63	
	3/8" - 1/2"	3/4"	1"	1 1/4"	1 1/2"	2"	
1	M6x16	M6x16	M6x16	M6x16	M6x16	M6x25	2
2	F03-F04-F05	F03-F04-F05	F03-F04-F05	F05-F07	F05-F07	F05-F07	1
3	M5x10	M5x10	M5x10	M6x12	M6x12	M6x12	4
3	M6X12	M6X12	M6X12	M8x20	M8x20	M8x20	4
4	*9	*11	*11	*11	*14	*14	1
4	*11	*14	*14	*14	*17	*17	1
4	*14	-----	-----	-----	-----	-----	1
5	M3,5x8	M3,5x8	M3,5x8	M4x16	M4x16	M4x16	4
6	DN10 - DN15	DN20 - DN25	DN20 - DN25	DN32 - DN40	DN32 - DN40	DN50	1
7	M6	M6	M6	M6	M6	M6	2
8	M6	M6	M6	M6	M6	M6	2

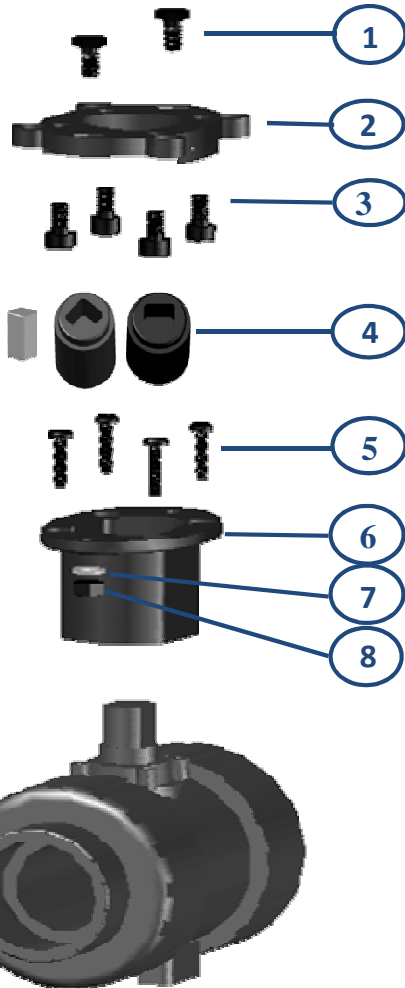
OPTIONS: PA-GR OUT WITH STEEL SQUARE

JAN-2012

PAG. 1

V006

**MOUNTING KIT BALL VALVE FIP TYPE VKD, PLASTIC DRIVE ADAPTER WITH METAL PIN**



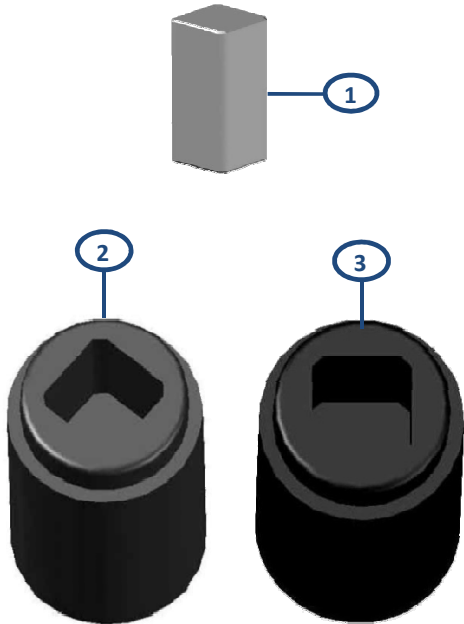
SIZE	DESCRIPTION	MATERIAL
1	SCREW DIN933	A2 S.STEEL
2	ADAPTER PLATE	PP-GR
3	SCREW DIN912	A2 S.STEEL
4	DRIVE ADAPTER METAL SQUARE	PA-GR-ZAMAK
5	SCREW RF81T	A2 S.STEEL
6	MOUNTING PLATE	PP-GR
7	WASHER DIN125	A2 S.STEEL
8	NUT DIN934	A4 S.STEEL

CODE KIT	
DN15	MM00200
DN20	MM00202
DN25	MM00203
DN32	MM00205
DN40	MM00206
DN50	MM00207

SIZE	DN10 - DN15	DN20	DN25	DN32	DN40	DN50	UNITS
	D16 - D20	D25	D32	D40	D50	D63	
	3/8" - 1/2"	3/4"	1"	1 1/4"	1 1/2"	2"	
1	M6x16	M6x16	M6x16	M6x16	M6x16	M6x25	2
2	F03-F04-F05	F03-F04-F05	F03-F04-F05	F05-F07	F05-F07	F05-F07	1
3	M5x10	M5x10	M5x10	M6x12	M6x12	M6x12	4
3	M6X12	M6X12	M6X12	M8x20	M8x20	M8x20	4
4	9	9	9	11	11	11	1
5	M3,5x8	M3,5x8	M3,5x8	M4x16	M4x16	M4x16	4
6	DN10 - DN15	DN20 - DN25	DN20 - DN25	DN32 - DN40	DN32 - DN40	DN50	1
7	M6	M6	M6	M6	M6	M6	2
8	M6	M6	M6	M6	M6	M6	2

OPTION FOR MOUNTING KIT BALL VALVE FIP TYPE VKD, PLASTIC DRIVE ADAPTER WITH METAL PIN ■

PA-GR OUT WITH STEEL SQUARE

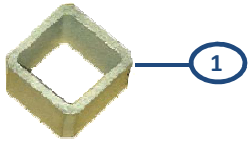


Nº	DESCRIPTION	MATERIAL
1	METAL SQUARE ADAPTER	ZAMAK
2	DRIVE ADAPTER 45°	PA-FV
3	DRIVE ADAPTER 90°	PA-FV

CODE KIT	
DN15	MM00412
DN20	MM00413
DN25	MM00414
DN32	MM00415
DN40	MM00416
DN50	MM00417

Nº	DN10 - DN15	DN20	DN25	DN32	DN40	DN50	UNITS
	D16 - D20	D25	D32	D40	D50	D63	
	3/8" - 1/2"	3/4"	1"	1 1/4"	1 1/2"	2"	
1	□9	□9	□9	□11	□11	□11	1
2	□45°	□45°	□45°	□45°	□45°	□45°	1
3	□90°	□90°	□90°	□90°	□90°	□90°	1

OPTION FOR MOUNTING KIT BALL VALVE FIPTYPE VKD, SQUARE REDUCER



	CODE	DESCRIPTION
1	SQ09-11I	SQUARE REDUCER RQ 09-11 INOX
1	SQ09-14I	SQUARE REDUCER RQ 09-14 INOX
1	SQ11-14I	SQUARE REDUCER RQ 11-14 INOX
1	SQ11-17I	SQUARE REDUCER RQ 11-17 INOX