

# Datasheet - RC 85



### GENERAL CHARACTERISTICS

- Housing:** Anticorrosive polyamide (lid & body)
- Main external shaft:** stainless steel
- External screws:** stainless steel
- Gears:** Steel and polyamide
- Visual position indicator:** Polyamide
- Dome:** Polycarbonate
- Adjustable internal cams:** Polyamide
- Electric motor:** 24VDC motor
- Insulation:** Class B
- (IEC 60034) Service:** S4

MODEL	RC85								
Voltage VDC or VAC 50/60Hz -0/+5%	VAC	VAC	VDC	VAC	VDC	VAC	VDC	VAC	VDC
Operation time unload ( Sec. / 90°)	240	110	110	48	48	24	24	12	12
Maximum torque break	90 Nm / 796,3 lb/in								
Maximum operational torque	85 Nm / 752 lb/in								
Duty rating	75 %								
Max. Working angle	0° to 270°								
Limit switch	4 SPST NO micro (2 motor stop and 2 confirmations)								
Big Plug	EN175301-803 FORM A								
Small Plug	DIN 43650/C								
Protection IEC 60529 rating	IP67								
Temperature	-20°C +70°C / -4°F +158°F								
Weight	3 Kg								



### VALVE CONNECTION

- ISO 5211 Plate : F05/F07
- DIN 3337 Female output drive : \*17 mm

### Option :

- DIN 3337 Female output drive: \*11 or \*14 mm

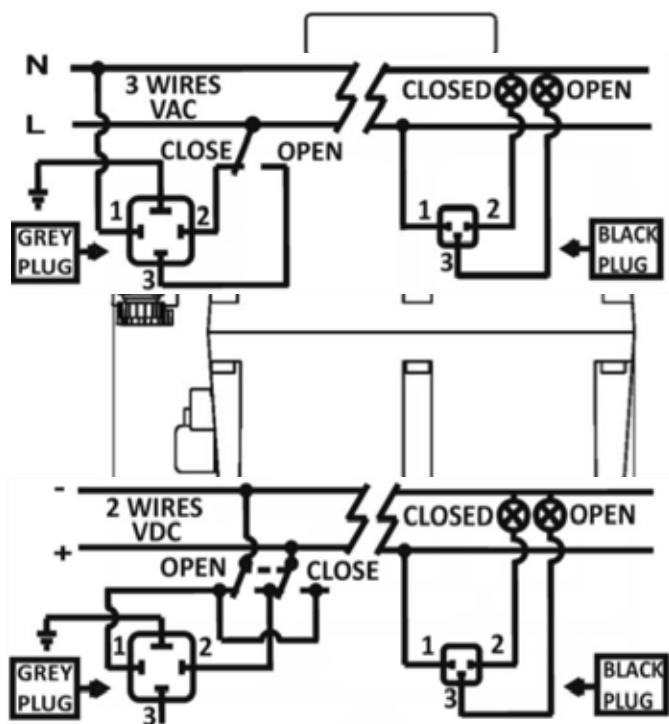


### OPTIONS

- Heater



## RC 85 SIZES



f. 13

