

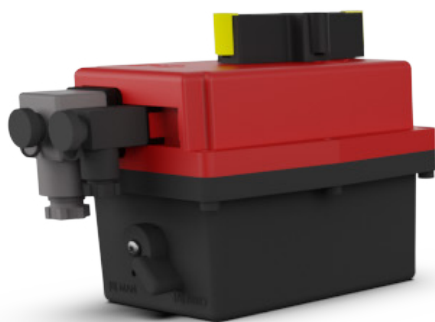


J.J. BCNINTERNACIONALS.A.



ACTUADOR ELÉCTRICO
ELECTRIC ACTUATOR

V2503



MOD. J10H
VOLTAGE 180-240V AC 50/60Hz
WORKING TIME 18 SEC. 10"
WORKING ANGLE 0°-90°
TEMPERATURE 0°-50°C / 32°-122°F
FLUID 2/14
SERIAL N° 02411195762
CE UK CB

INDEX

›	01. CARACTERÍSTICAS GENERALES GENERAL CHARACTERISTICS.....	3
›	02. CONSUMOS CONSUMPTIONS	4
›	03. MEDIDAS GENERALES GENERAL DIMENSIONS.....	5
›	04. DESPIECE EXPLODED VIEW.....	6
›	05. DIAGRAMA DE CONEXIÓN EXTERNAL CONNECTING DIAGRAM	9
›	06. CERTIFICACIONES CERTIFICATIONS	11
›	08. GARANTIA GUARANTEE	12
›	09. CONTACTO CONTACT	13

El actuador J10Nm de **J.J. BCN INTERNACIONAL S.A.** es un actuador eléctrico de alto rendimiento, diseñado para su uso en sistemas de automatización industrial. Con una fuerza de 10 Newtons por metro, este dispositivo convierte energía eléctrica en movimiento mecánico, permitiendo el accionamiento eficiente de válvulas y otros mecanismos en diversos procesos industriales.

Los actuadores eléctricos J10Nm ofrecen un control preciso y una fácil integración en sistemas automatizados. Además, requieren menos mantenimiento en comparación con los actuadores neumáticos o hidráulicos, lo que los convierte en una opción ideal para optimizar el rendimiento y la fiabilidad en entornos industriales.

The J10Nm actuator from J.J. BCN INTERNACIONAL S.A. is a high-performance electric actuator designed to be used in industrial automation systems. With a force of 10 Newtons per meter, this device converts electrical energy into mechanical motion, enabling the efficient operation of valves and other mechanisms in various industrial processes.

The J 10Nm electric actuators offer precise control and easy integration into automated systems. Additionally, they require less maintenance compared to pneumatic or hydraulic actuators, making them an ideal choice for optimizing performance and reliability in industrial environments.

CARACTERÍSTICAS GENERALES · GENERAL CHARACTERISTICS

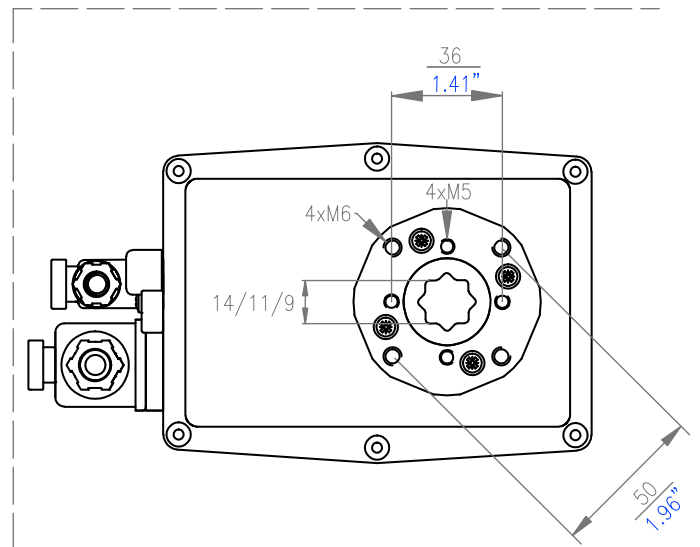
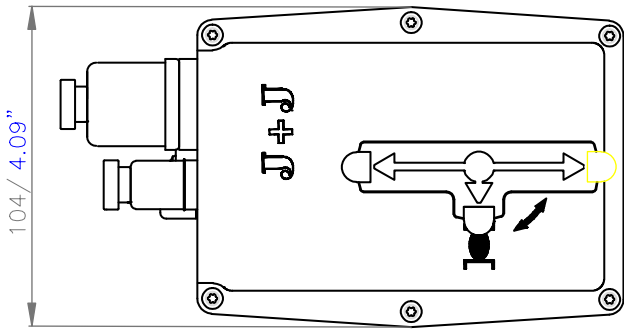
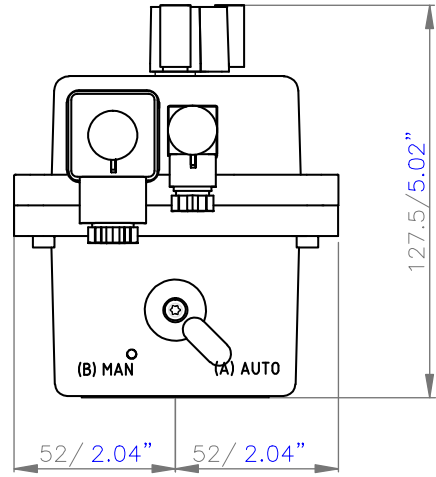
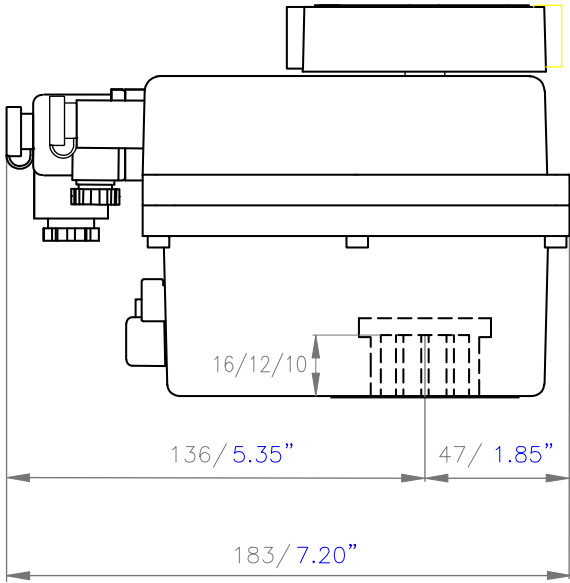
- **Envoltente: Poliamida anticorrosiva (cuerpo y tapa)**
- **Housing: Anticorrosive polyamide (lid & body)**
- **Ejes principales externos: Acero inoxidable**
- **Main external shaft: Stainless Steel**
- **Tornillería exterior: Acero Inoxidable**
- **External screws: Stainless Steel**
- **Engranajes: Poliamida**
- **Gears: Polyamide**
- **Indicador de posición: Poliamida + FV**
- **Position indicator: Polyamide + GF**
- **Levas internas ajustables: Poliamida**
- **Adjustable internal cams: Polyamide**
- **Motor: 24VDC Motor brushless**
- **Electric motor: 24VDC Brushless motor**
- **Aislamiento: Clase B**
- **Insulation: Class B**
- **(IEC 60034) Servicio: S4**
- **(IEC 60034) Service: S4**

Modelo / Model	J10H
VOLTAJE VOLTAGE	100 - 240 VDC/VAC 50/60Hz -0/+5%
Modelo / Model	J10H
TIEMPO MANIOBRA SIN CARGA OPERATION TIME UNLOAD	16 Seg. - Sec/90°
PAR MÁXIMO ARRANQUE MAXIMUM TORQUE BREAK	12 Nm / 106,20 lb/in
PAR MÁXIMO OPERACIONAL MAXIMUM OPERATIONAL TORQUE	10 Nm / 88,55 lb/in
TIEMPO BAJO TENSIÓN DUTY RATING	75 %
ÁNGULO DE MANIOBRA MAX. WORKING ANGLE	0° a - to. 270°
INTERRUPTORES FINAL DE CARRERA LIMIT SWITCH	4 STDP micro (2 paros motor y 2 confirmación) 4 SPST NO micro (2 motor stop and 2 confirmations)
RESISTENCIA CALEFACTORA AUTOMATIC HEATER	3,5 W
CONECTOR GRANDE BIG PLUG	EN175301-803 FORM A
CONECTOR PEQUEÑO SMALL PLUG	DIN43650/C
GRADO PROTECCIÓN IEC 60529 PROTECTION IEC 60529 RATING	IP65
TEMPERATURA TEMPERATURE	-20°C +70°C / -4°F +158°F
BRIDA ISO 5211 ISO 5211 PLATE	Estándar: F03/F05 Opcional: F04 Standard: F03/F05 Optional: F04
SALIDA DOBLE CUADRADO DIN3337 DIN 3337 FEMALE OUTPUT DRIVE	Estándar: *14 Opcional: *9, *11mm Standard: *14 Optional: *9, *11mm
PESO WEIGHT	0,81 KG

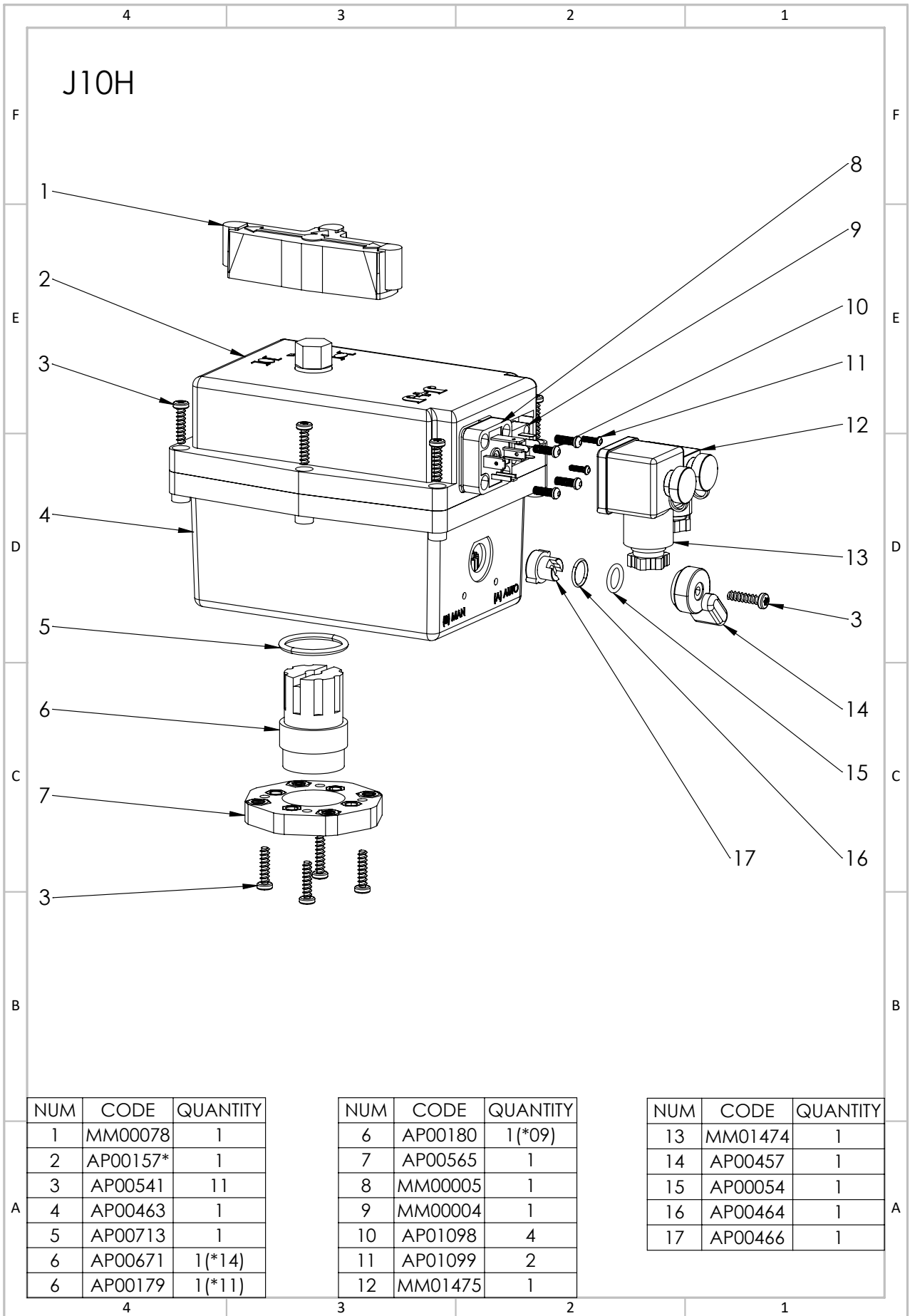
CONSUMOS · CONSUMPTIONS

J10H		Unload		Max. Operational Torque 10 Nm		Max. Torque Break 12 Nm	
Volatge	Model	A	W	A	W	A	W
110 VDC	J10H	0,02	2,40	0,04	4,80	0,06	6,50
110 VAC	J10H	0,04	4,40	0,07	8,00	0,08	9,00
240 VAC	J10H	0,03	6,30	0,04	9,00	0,04	9,00

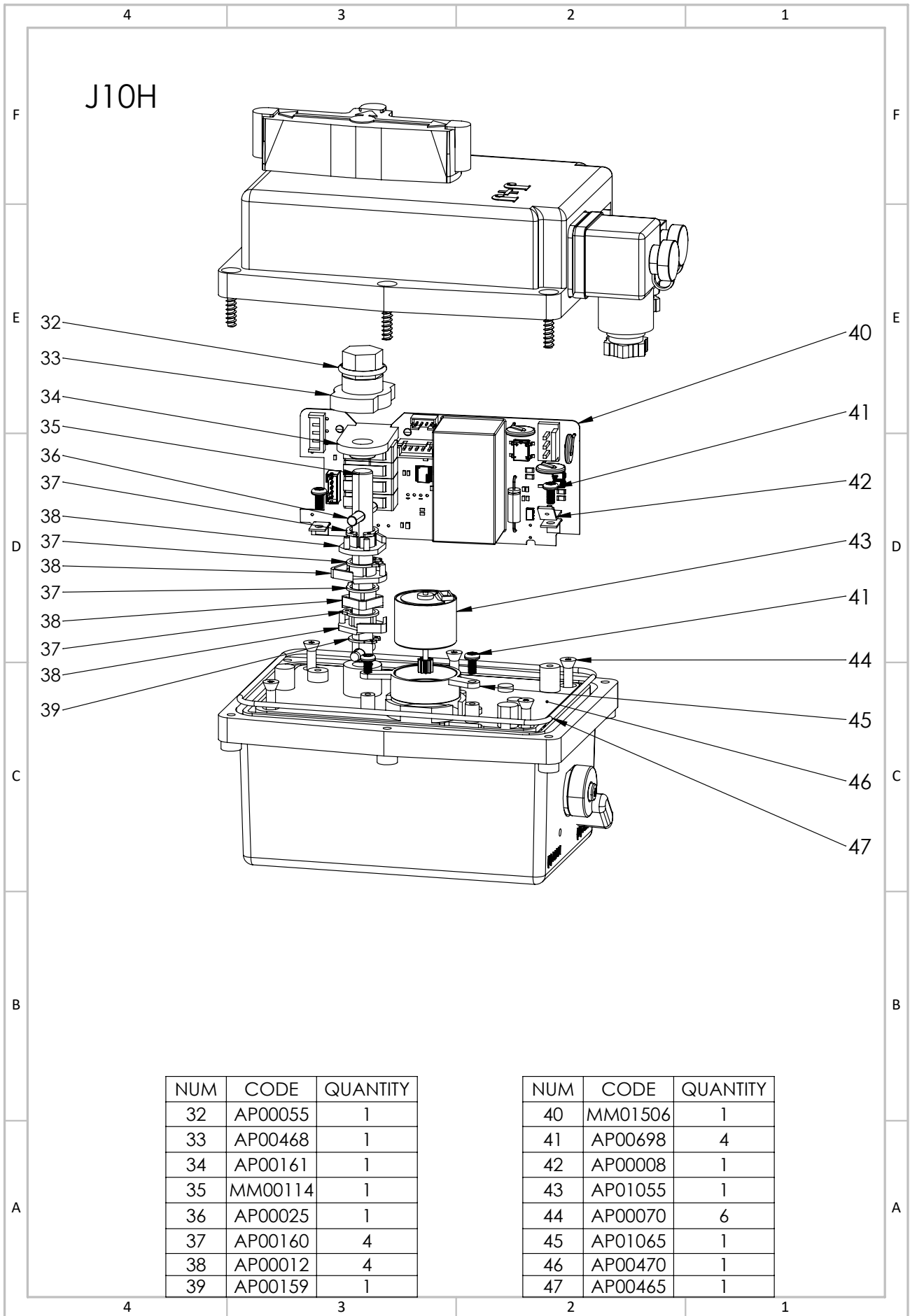
MEDIDAS GENERALES · GENERAL DIMENSIONS



DESPIECE · EXPLODED VIEW



DESPIECE · EXPLODED VIEW



DESPIECE · EXPLODED VIEW

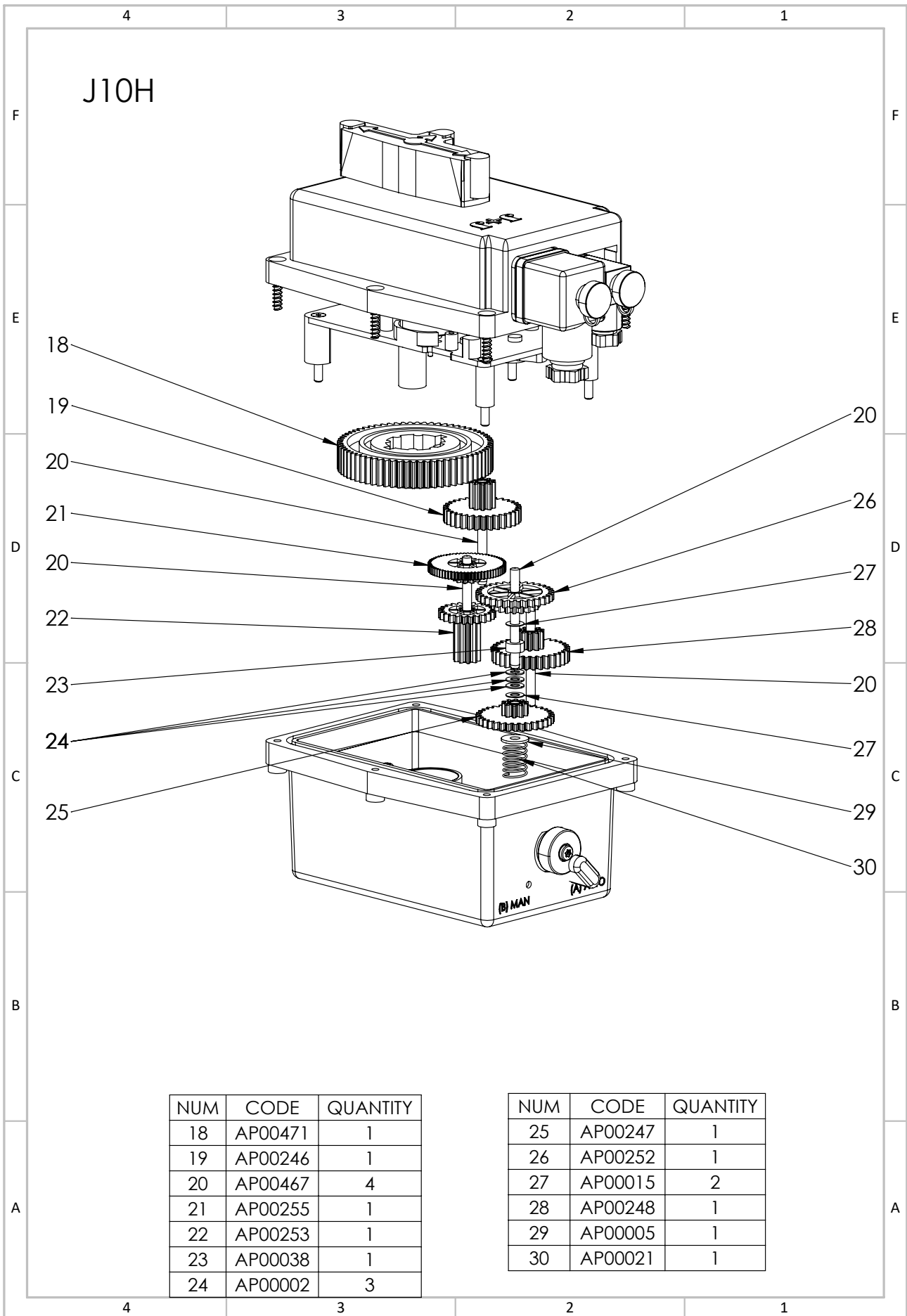
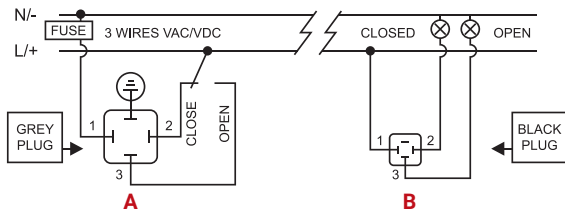


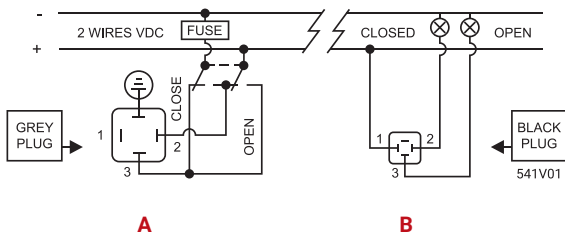
DIAGRAMA DE CONEXIÓN EXTERNA (ESTÁNDAR) · EXTERNAL CONNECTING DIAGRAM (STANDARD)



J10H ON - OFF VAC

A = Power supply plug (Grey plug)
 Neutral PIN 1 + Phase PIN 2 = Close actuator.
 Neutral PIN 1 + Phase PIN 3 = Open actuator.
 Earth/ground connection - Flat PIN \oplus

B = Volt free contact plug (Black plug)
 Common PIN 1 + PIN 2 = Close confirmation of position.
 Common PIN 1 + PIN 3 = Open confirmation of position.

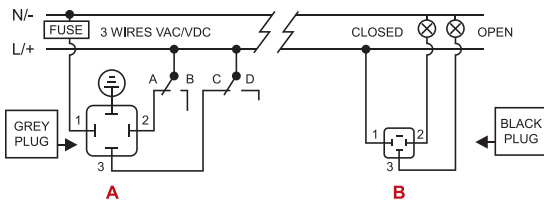


J10H ON - OFF VDC

A = Power supply plug (Grey plug)
 Negative PIN 3 + Positive PIN 2 = Close actuator.
 Negative PIN 2 + Positive PIN 3 = Open actuator.
 Earth/ground connection - Flat PIN \oplus

B = Volt free contact plug (Black plug)
 Common PIN 1 + PIN 2 = Close confirmation of position.
 Common PIN 1 + PIN 3 = Open confirmation of position.

DIAGRAMA DE CONEXIÓN EXTERNA (OPCIONAL) · EXTERNAL CONNECTING DIAGRAM (OPTIONAL)



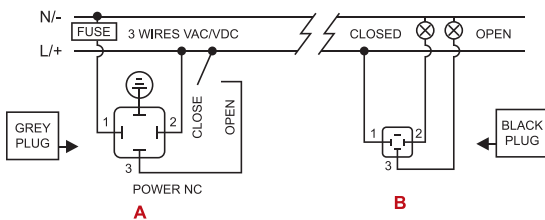
J10H STANDARD MODE · 3 WIRES ON - OFF

A = Power supply plug
A: VAC 3 WIRES (Grey plug)
 PIN 1 = Neutral + PIN 2 = Phase = Close
 PIN 1 = Neutral + PIN 3 = Phase = Open
 PIN 1 = Neutral + PIN 2+3 = Phase = Stop
 Earth/ground connection - Flat PIN \oplus

A: VDC 3 WIRES (Grey plug)
 PIN 1 = (-) Negative + PIN 2 = (+) Positive = Close
 PIN 1 = (-) Negative + PIN 3 = (+) Positive = Open
 PIN 1 = (-) Negative + PIN 2+3 = (+) Positive = Stop
 Earth/ground connection - Flat PIN \oplus

B = Volt free contact plug (Black plug)
 Common PIN 1 / PIN 2 = Close confirmation of position.
 Common PIN 1 / PIN 3 = Open confirmation of position.

Other options for external connection diagrams:
 These options can be configured by the manufacturer or can be configured by the customer, using our J4C interface kit.

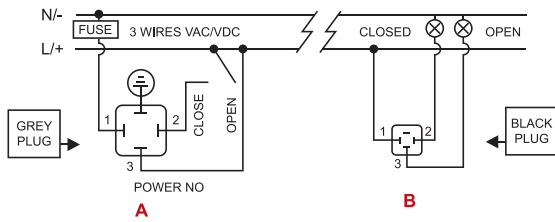


J10H 2 MODE ON - OFF

A = Power supply plug
A: VAC 3 WIRES (Grey plug)
 PIN 1 = Neutral + PIN 2 = Phase = Close
 PIN 1 = Neutral + PIN 2+3 = Phase = Open
 Earth/ground connection - Flat PIN \oplus

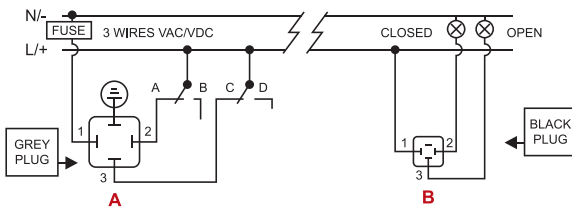
A: VDC 3 WIRES (Grey plug)
 PIN 1 = (-) Negative + PIN 2 = (+) Positive = Close
 PIN 1 = (-) Negative + PIN 2+3 = (+) Positive = Open
 Earth/ground connection - Flat PIN \oplus

B = Volt free contact plug (Black plug)
 Common PIN 1 / PIN 2 = Close confirmation of position.
 Common PIN 1 / PIN 3 = Open confirmation of position.



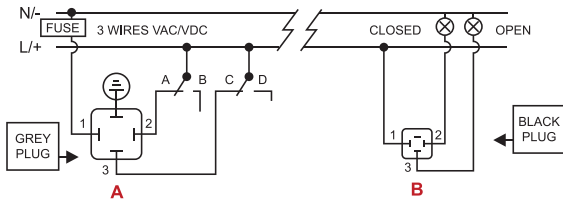
J10H 3 MODE ON - OFF

- A = Power supply plug
- A: VAC 3 WIRES (Grey plug)
 - PIN 1 = Neutral + PIN 2+3 = Phase = Close
 - PIN 1 = Neutral + PIN 3 = Phase = Open
 - Earth/ground connection - Flat PIN \oplus
- A: VDC 3 WIRES (Grey plug)
 - PIN 1 = (-) Negative + PIN 2+3 = (+) Positive = Close
 - PIN 1 = (-) Negative + PIN 3 = (+) Positive = Open
 - Earth/ground connection - Flat PIN \oplus
- B = Volt free contact plug (Black plug)
 - Common PIN 1 / PIN 2 = Close confirmation of position.
 - Common PIN 1 / PIN 3 = Open confirmation of position.



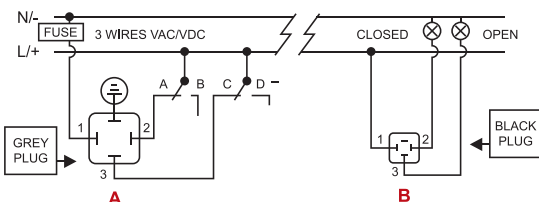
J10H 4 MODE ON - OFF

- A = Power supply plug
- A: VAC 3 WIRES (Grey plug)
 - PIN 1 = Neutral + PIN 2 = Phase = Stop
 - PIN 1 = Neutral + PIN 3 = Phase = Open
 - PIN 1 = Neutral + PIN 2+3 = Phase = Close
 - Earth/ground connection - Flat PIN \oplus
- A: VDC 3 WIRES (Grey plug)
 - PIN 1 = (-) Negative + PIN 2 = (+) Positive = Stop
 - PIN 1 = (-) Negative + PIN 3 = (+) Positive = Open
 - PIN 1 = (-) Negative + PIN 2+3 = (+) Positive = Close
 - Earth/ground connection - Flat PIN \oplus
- B = Volt free contact plug (Black plug)
 - Common PIN 1 / PIN 2 = Close confirmation of position.
 - Common PIN 1 / PIN 3 = Open confirmation of position.



J10H 6 MODE ON - OFF

- A = Power supply plug
- A: VAC 3 WIRES (Grey plug)
 - PIN 1 = Neutral + PIN 2 = Phase = Open
 - PIN 1 = Neutral + PIN 3 = Phase = Close
 - PIN 1 = Neutral + PIN 2+3 = Phase = Stop
 - Earth/ground connection - Flat PIN \oplus
- A: VDC 3 WIRES (Grey plug)
 - PIN 1 = (-) Negative + PIN 2 = (+) Positive = Open
 - PIN 1 = (-) Negative + PIN 3 = (+) Positive = Close
 - PIN 1 = (-) Negative + PIN 2+3 = (+) Positive = Stop
 - Earth/ground connection - Flat PIN \oplus
- B = Volt free contact plug (Black plug)
 - Common PIN 1 / PIN 2 = Close confirmation of position.
 - Common PIN 1 / PIN 3 = Open confirmation of position.



J10H 8 MODE ON - OFF

- A = Power supply plug
- A: VAC 3 WIRES (Grey plug)
 - PIN 1 = Neutral + PIN 2 = Phase = Stop
 - PIN 1 = Neutral + PIN 2+3 = Phase = Open
 - PIN 1 = Neutral + PIN 3 = Phase = Close
 - Earth/ground connection - Flat PIN \oplus
- A: VDC 3 WIRES (Grey plug)
 - PIN 1 = (-) Negative + PIN 2 = (+) Positive = Stop
 - PIN 1 = (-) Negative + PIN 2+3 = (+) Positive = Open
 - PIN 1 = (-) Negative + PIN 3 = (+) Positive = Close
 - Earth/ground connection - Flat PIN \oplus
- B = Volt free contact plug (Black plug)
 - Common PIN 1 / PIN 2 = Close confirmation of position.
 - Common PIN 1 / PIN 3 = Open confirmation of position.

CERTIFICACIONES · CERTIFICATIONS



UK CA
[Document link](#)



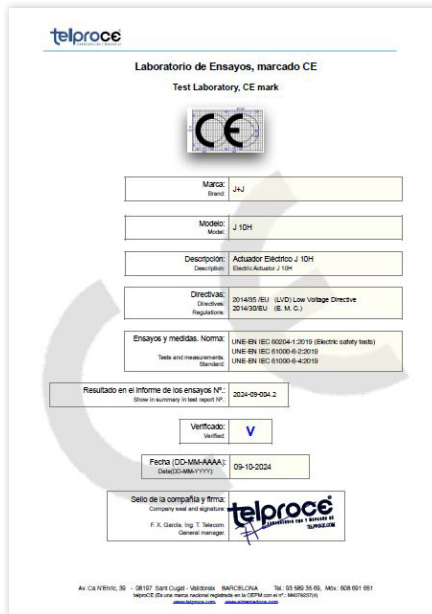
Declaration of Conformity EMC
[Document link](#)



Reach Certificate of Compliance
[Document link](#)



Rohs Certificate of Compliance
[Document link](#)



CE Certificate J10Nm
[Document link](#)



ISO 9001:2015
[Document link](#)

GARANTÍA · GUARANTEE

Los actuadores J+J están garantizados contra defectos de fabricación o montaje bajo las siguientes condiciones:

- Serie J10Nm: hasta 60.000 ciclos de trabajo o 3 años desde la fecha de envío.
- Condiciones de trabajo: 75% de factor de marcha.
- Máximo de 50 activaciones de la función limitadora, dentro del período de garantía de 3 años.

NUESTRA GARANTÍA CUBRE EXCLUSIVAMENTE LA REPARACIÓN O SUSTITUCIÓN DE LAS PIEZAS DEFECTUOSAS EN NUESTRO TALLER O EN EL LUGAR DE INSTALACIÓN, Y NO INCLUYE INDEMNIZACIONES NI OTROS GASTOS.

La garantía quedará anulada si el dispositivo ha sido abierto, si los defectos son resultado de un mal uso, o si nuestros productos han sido manipulados, reparados o modificados fuera de nuestro taller, o si han sido instalados con materiales o métodos que no cumplen con nuestros ESTÁNDARES.

La parte que alegue la existencia de un defecto, deberá acreditar el uso adecuado del producto y si corresponde, su correcta instalación. Los gastos de devolución y reenvío de los materiales defectuosos, correrán por cuenta del comprador.

J+J actuators are warranted against defects in workmanship or assembly under the following conditions:

- J10Nm Series: up to 60,000 working cycles or 3 years from the shipment date.
- Operating conditions: 75% duty cycle.
- Maximum of 50 limiter function activations within the 3-year warranty period.

OUR WARRANTY INCLUDES EXCLUSIVELY THE REPAIR OR REPLACEMENT OF DEFECTIVE PARTS EITHER IN OUR WORKSHOP OR AT THE INSTALLATION SITE, AND DOES NOT COVER COMPENSATION OR OTHER EXPENSES.

The warranty will be void if the device has been opened, if the defects result from misuse, or if our products have been handled, repaired, or modified outside our workshop, or installed with materials or methods that do not comply with our STANDARDS.

The party claiming the existence of a defect must provide evidence of the proper use of the product and, if applicable, its correct installation. The costs of returning and reshipping defective materials will be borne by the buyer.

J.J. BCN INTERNACIONAL, SA



Polígon Industrial Sud
Carrer de l'Orfeó Català, 7 · 08440 Cardedeu
Barcelona (Spain)



(+34) 93 871 33 04



info@jjbcn.com



www.jjbcn.com